

Rev.	Sym.	Q'TY	ICN/ECN NO	Changed by	Date
V1.0			the first release		

COMPANY CONFIDENTIAL

A

B

C

D

E

F

A

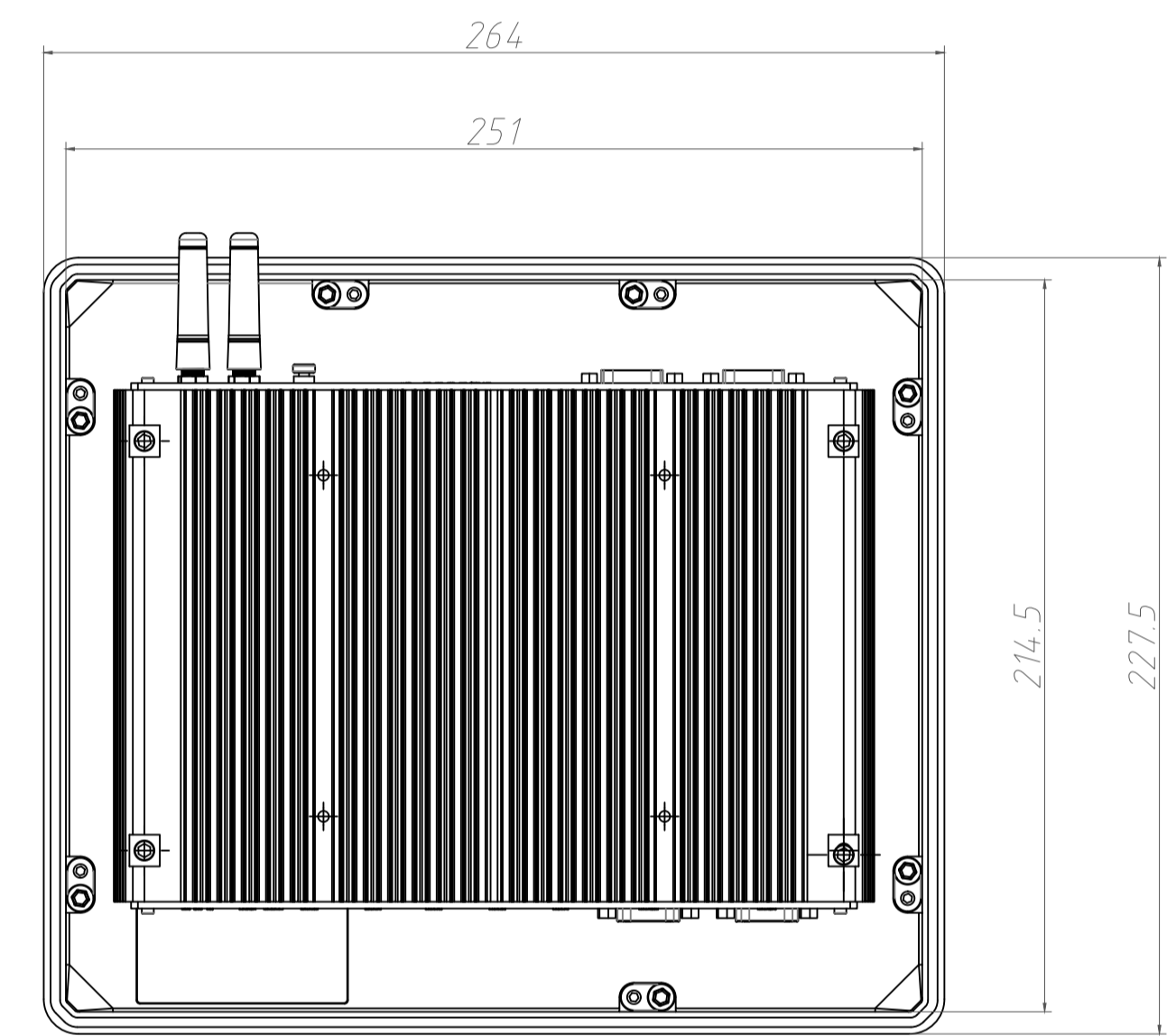
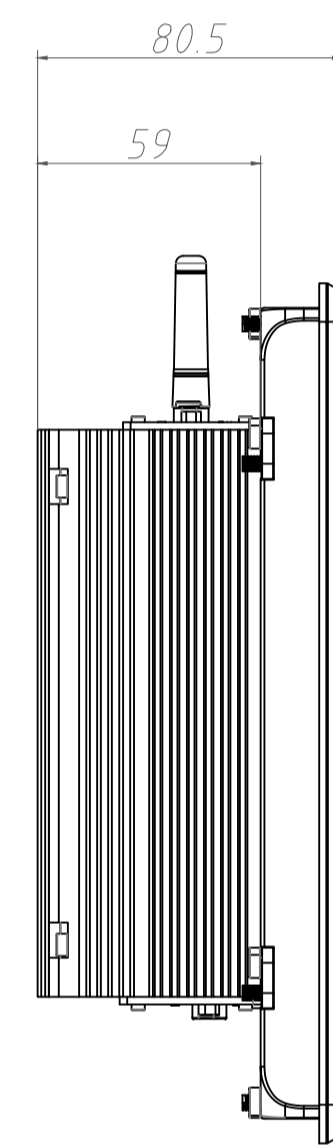
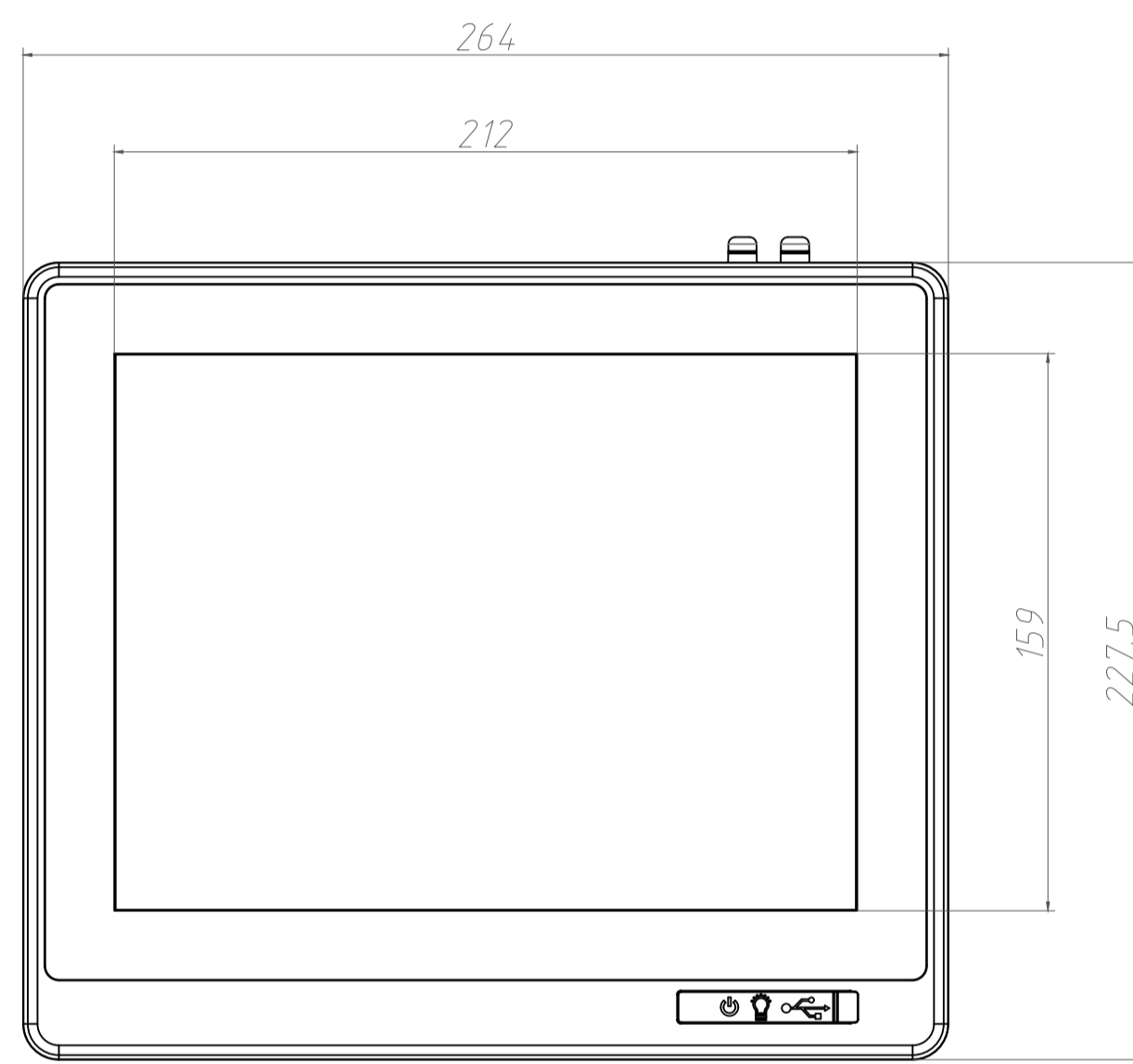
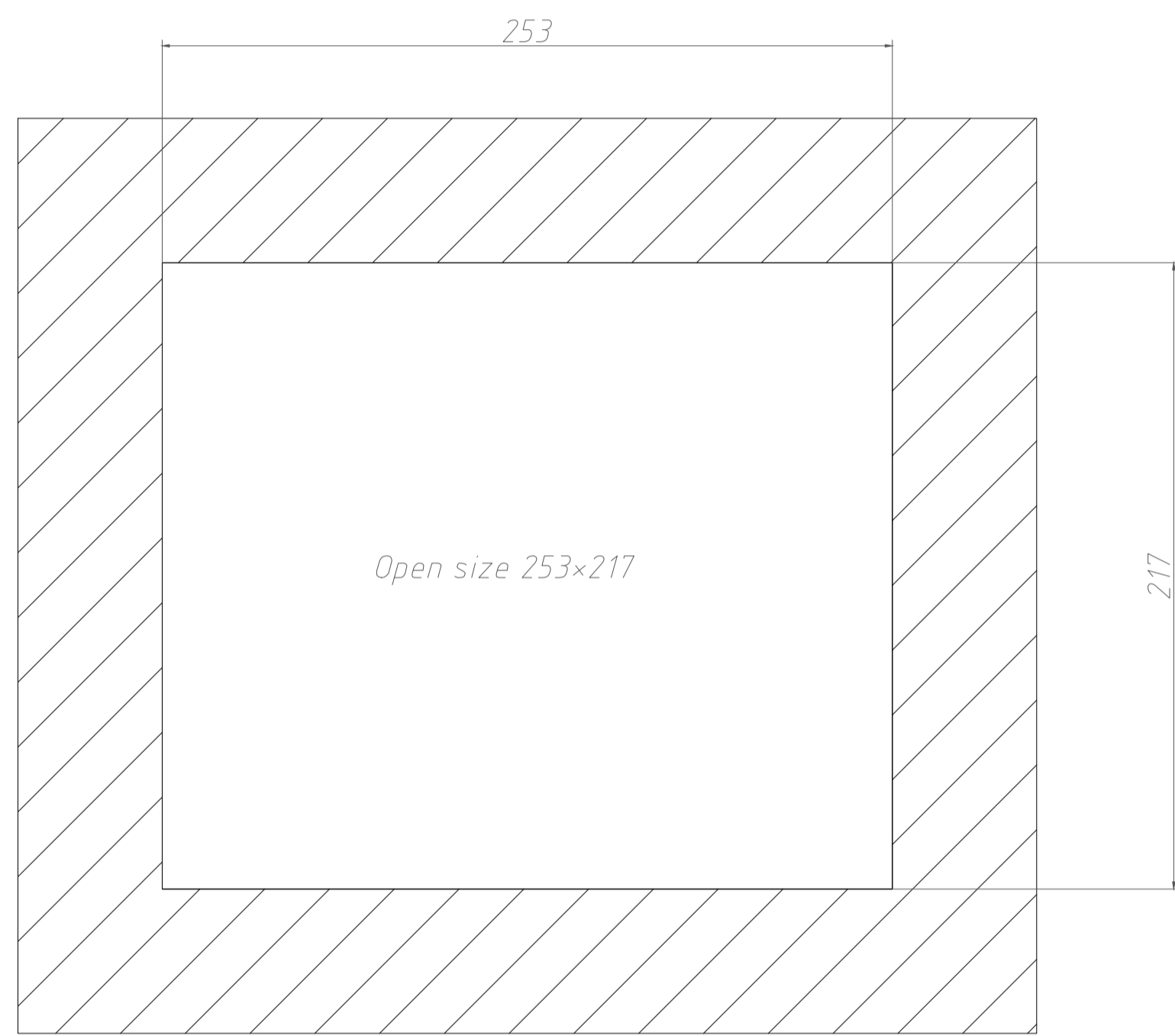
B

C

D

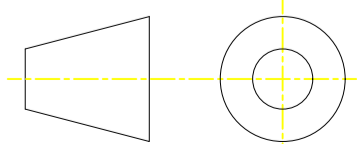
E

F



**PANELMATE**  
Creative HMI Solution

First angle system



Design Check Approve	Project Name :	Part Name			
		Part No			
		Material	See Notes	Size: A0	Scale: 1:1
		Process	See Notes	Unit: mm	Sheet: 1 of 1

1

2

3

4

5

6

7

8